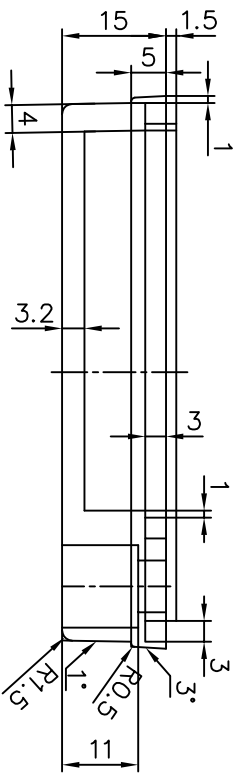
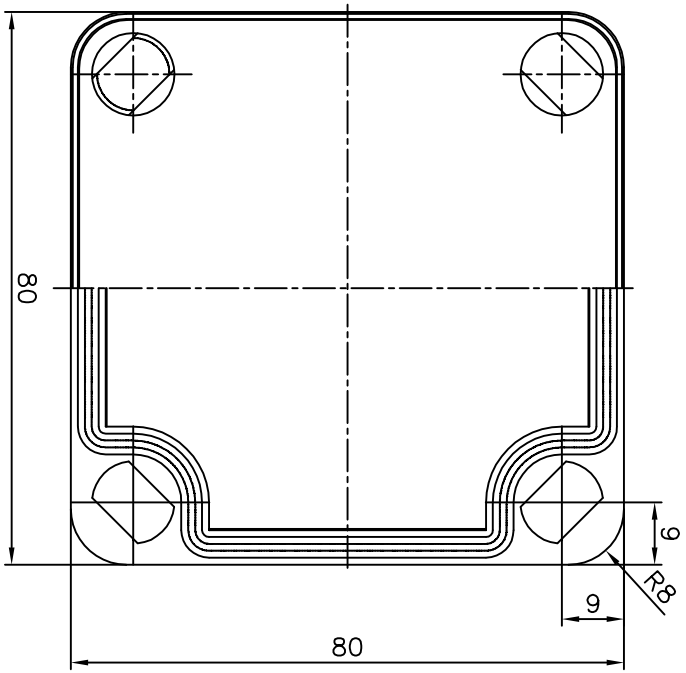


DATE	REV	STATUS	BY	CHK	APP	SECTION
0008	0008	BODY				
DWG						



DATE	2024.08.20	DESIGNER	김민준	REVISION	3	REASON	COVER
NAME	김민준	DEPARTMENT	기계부	DATE	2024.08.20	DRAWN	김민준
PROJECT	기계부	PROJECT NO.	2024-08-20	SCALE	1:1	CHECKER	김민준
DWG							