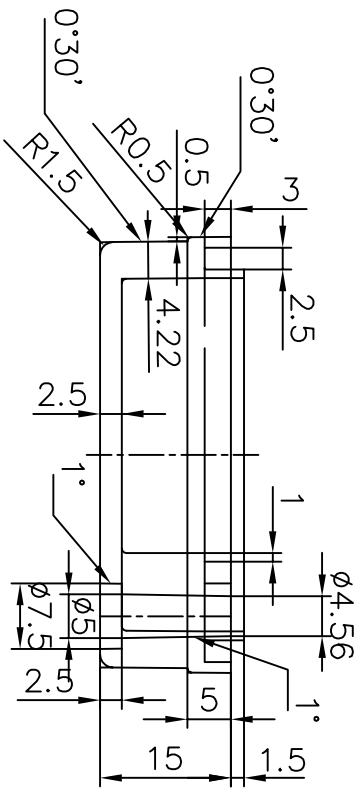
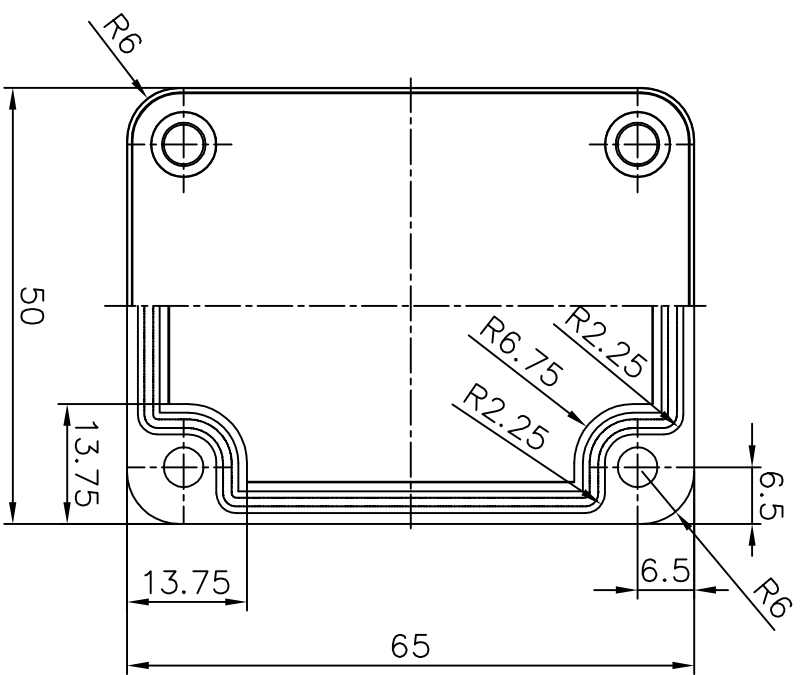


DWG		REV		DATE	
01					
(주) 박스군					
DWG					
0506	RESIN	3	0506	BODY	
DATE	SCALE	UNIT	PRODUCTION	REVISION	DESCRIPTION



DATE	SCALE	IN	PRODUCTION	3	REV	05/06
NAME	DESIGN	NO.	NO.	NO.	NO.	NO.
COVER						
DWG						